

NEW CONCEPT

NEW TECHNOLOGY

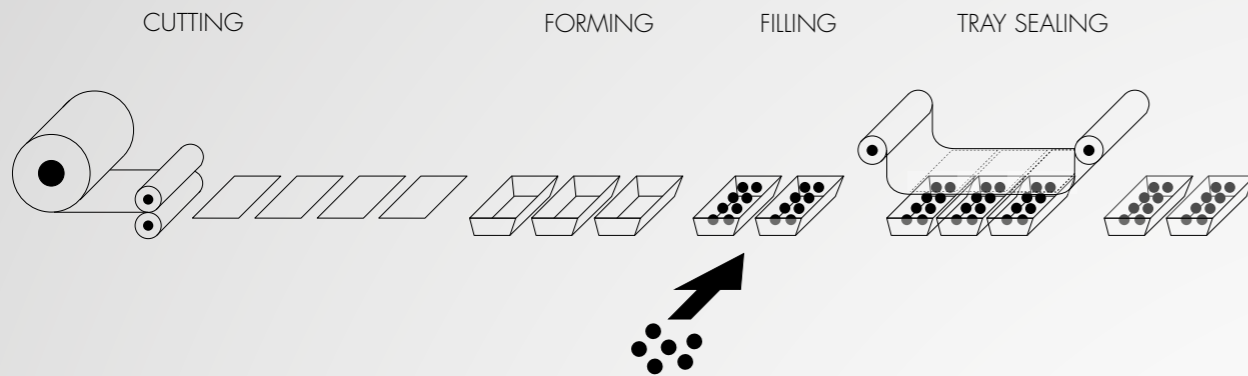
NEW ADVANTAGES

PLATFORMER



G. MONDINI

HOW THE SYSTEM WORKS



NEW CONCEPT

THERMOSEALER

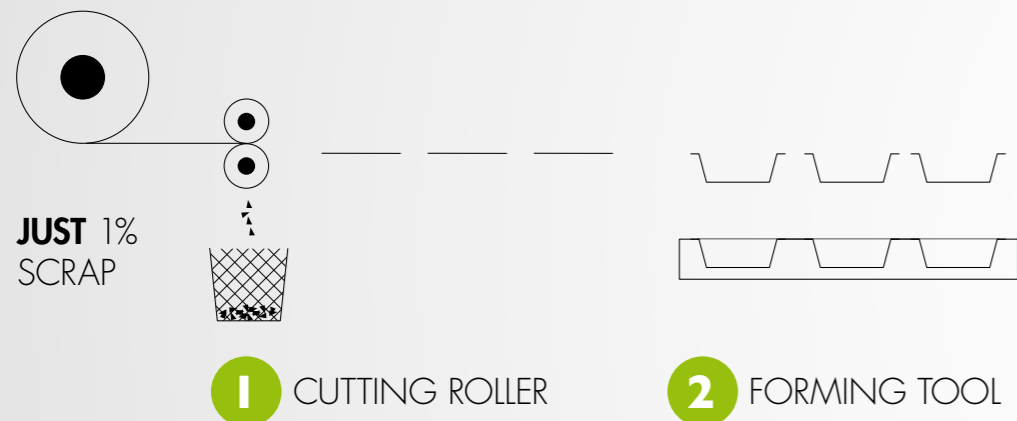
Today's packaging line world is divided into either thermoforming or tray sealing lines, the first producing value packs, the second higher quality packs with greater flexibility.

Platformer is the missing link.

Combining the Mondini Trave with the Mondini Platformer your packaging line becomes what could be defined as a thermo-sealer... **giving the best of both Worlds.**

Free to switch from thermoformed in-line trays from a reel or pre-made trays at any moment in time during production, according to the needs of your business.

TWO COMPONENTS CHANGE OVER



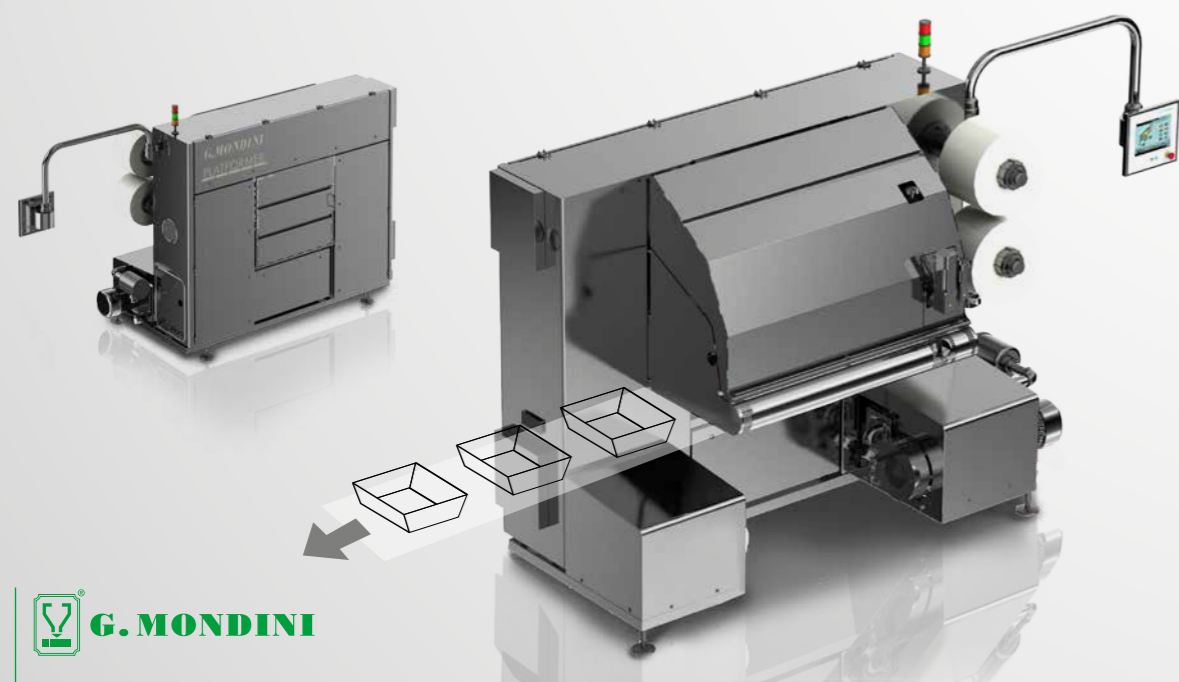
NEW TECHNOLOGY

REVOLUTIONARY

Forming trays on demand, in line, from a reel.

Platformer new technology revolutionizes the concept of tray forming by cutting the tray footprint before the forming process occurs, reducing the **scrap to just 1%**. An additional benefit of this innovative process is that the tray format **change over time** is less than **10 minutes** with only two components needing to be changed, at a **cost** which is a **fraction of a standard thermoformer**.

Depending on market conditions, customer demands and needs of the business, processors will have full flexibility to choose whichever solution is most beneficial to them at the time.



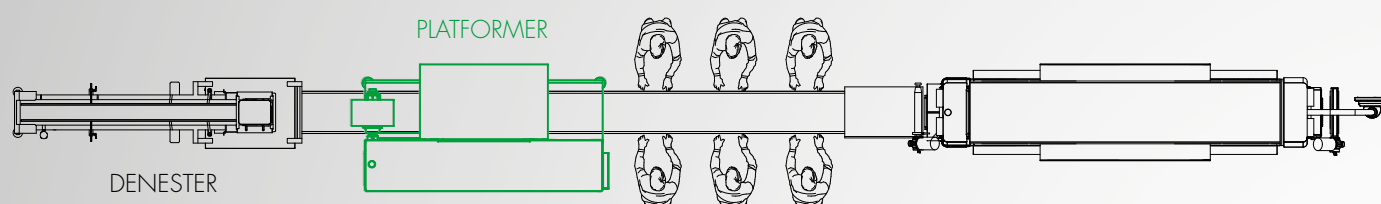
NEW ADVANTAGES

TANGIBLE ADVANTAGES

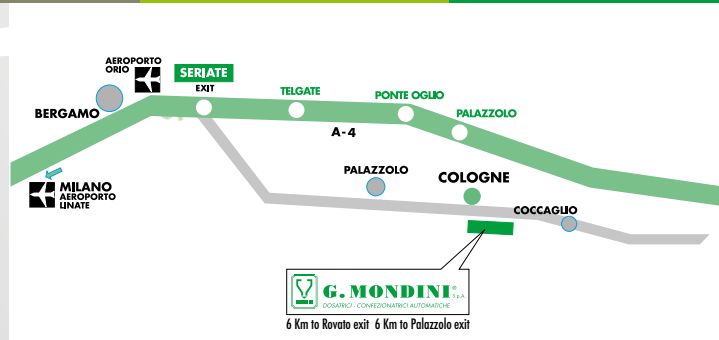
- Trave and Platformer combined together deliver the ultimate packaging line driving down the cost and extending pack tying.
- Base tray waste of just 1%.
- Simple, fast tray format change over.
- In-line, on-demand feeding.
- Quick reel change over.
- Whether using trays made in line or pre-made, the line is designed in such a way that the product can be filled either automatically or using skilled staff.

LINE WITH PLATFORMER ? OR WITHOUT

THERMOFORMED TRAYS



PREFORMED TRAYS



G. MONDINI[®] S.p.A.
DOSATRICI - CONFEZIONATRICI AUTOMATICHE

Via Brescia, 5/7 - 25033 Cologno (Brescia) Italia
T +39 030 70560 - F +39 030 7056250
E-mail: info@gmondini.com - www.gmondini.com